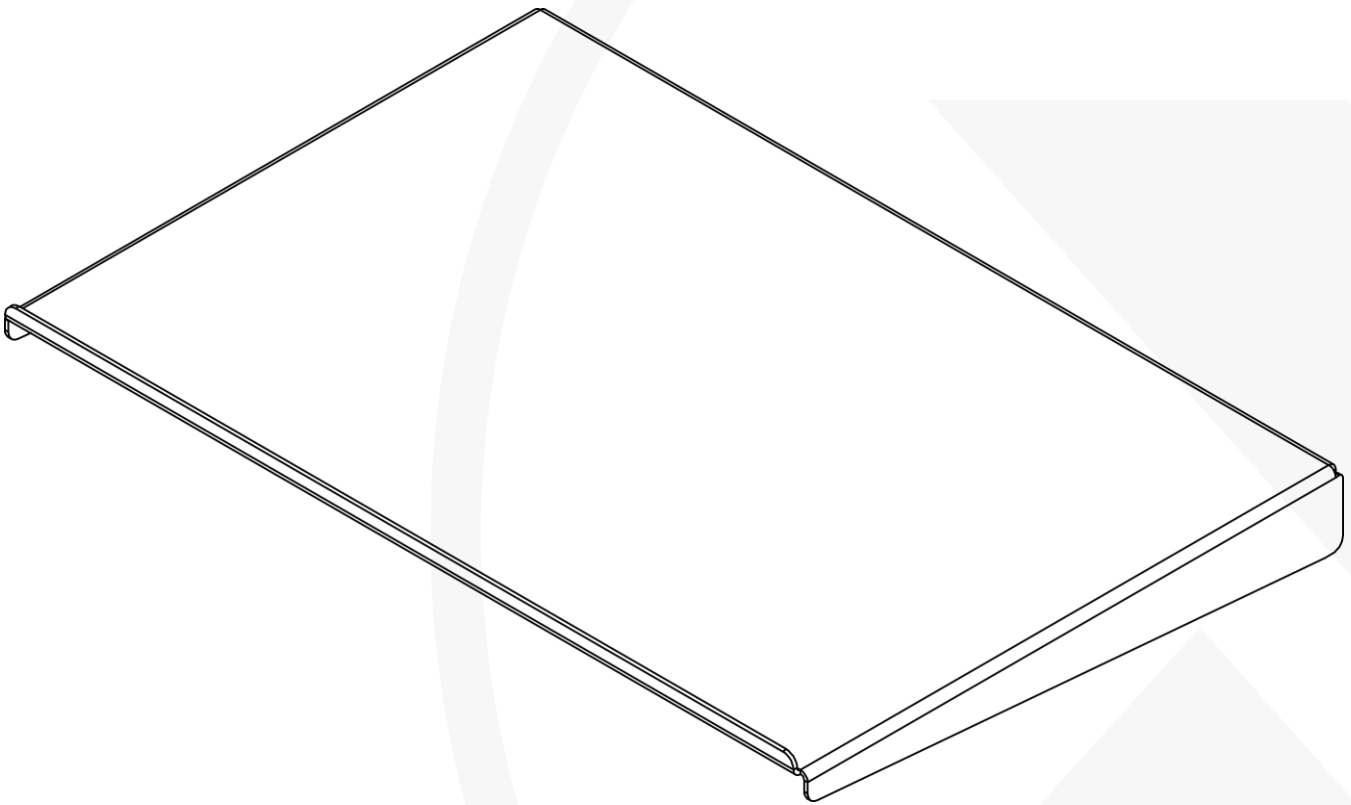




item number: 481A73



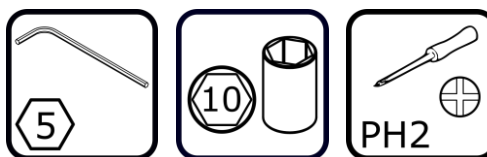
© COPYRIGHT – document number: 902931-01 – note: product specifications may change without prior notice.

Fixed Laptop Tray

General Warnings



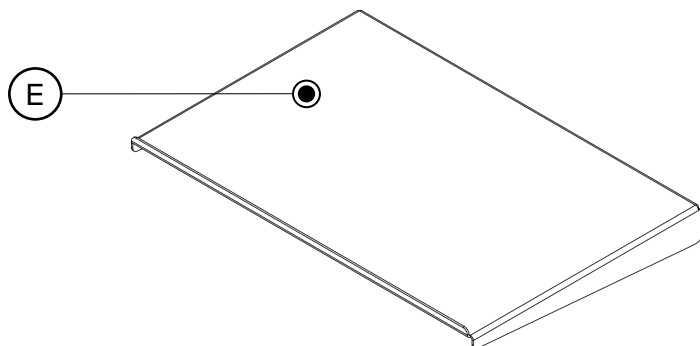
Tools



Mounting materials

(4x) A			[1:1]
(4x) B			[1:1]
(4x) C			[1:1]
(4x) D			[1:1]

Content of the box



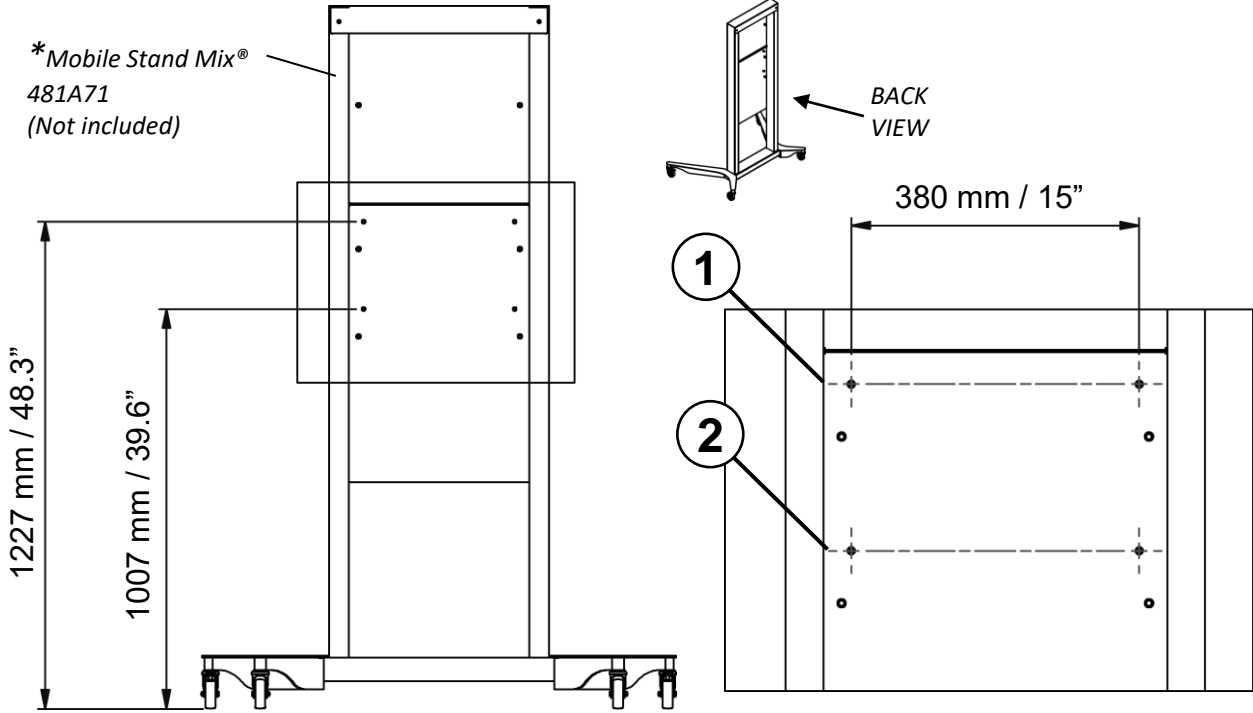
Installation Manual
902931



Installation

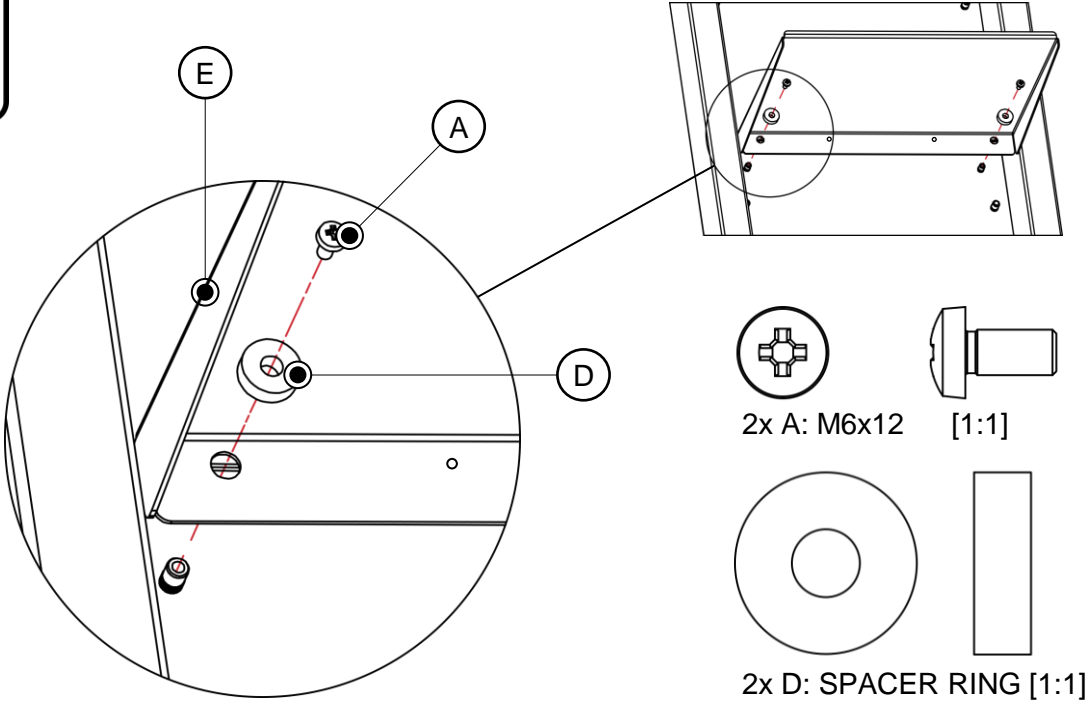
Mobile Stand Mix®	481A71	→ go to step 1
e·Box® Mobile	487A11xxx	→ go to step 4

1 Choose mounting position 1 or 2 for the Laptop Tray



BalanceBox®400 installed? **Yes → step 3**
No → step 2

2 METHOD 1: Mount the Laptop Tray on an unused position.

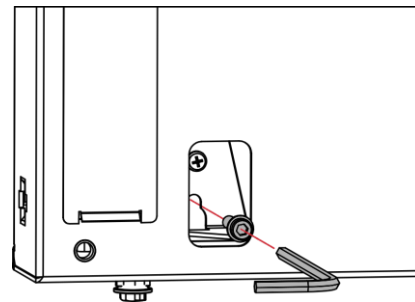


Fixed Laptop Tray

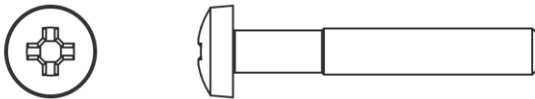
3 METHOD 2: Mount the Laptop Tray at the position used for the BalanceBox®400 or VESA bracket.



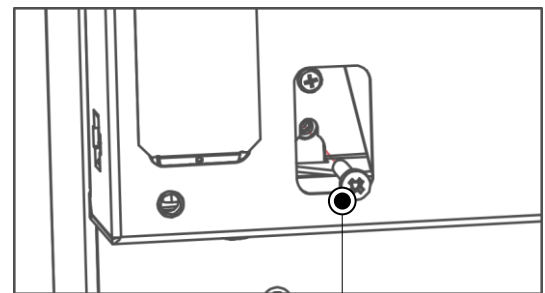
3a) Remove bottom screws in BalanceBox®400



3b) Secure BalanceBox®400 with screws B

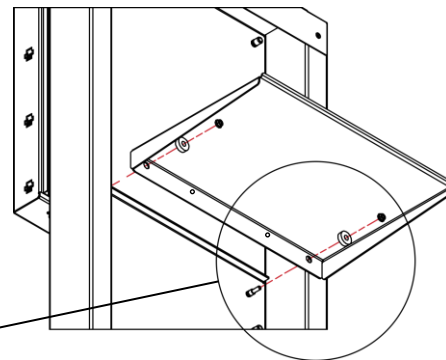
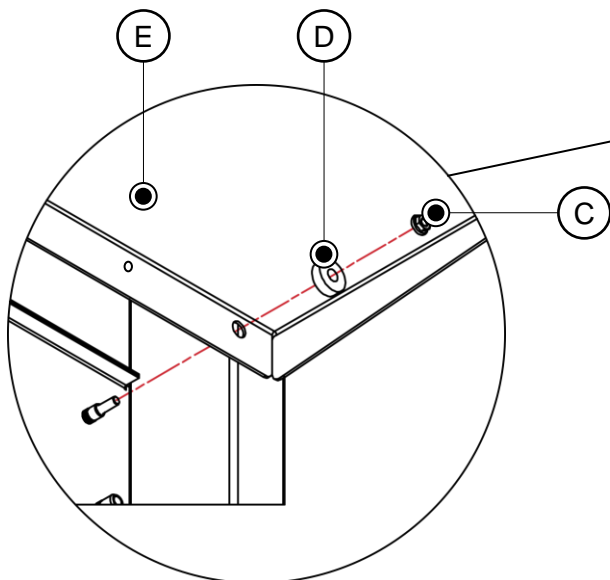


2x B: M6x40

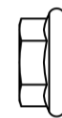


B

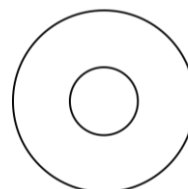
3c) Mount the Laptop Tray



2x C: M6

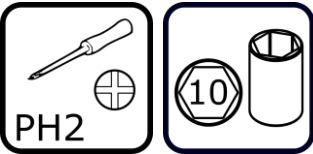


[1:1]

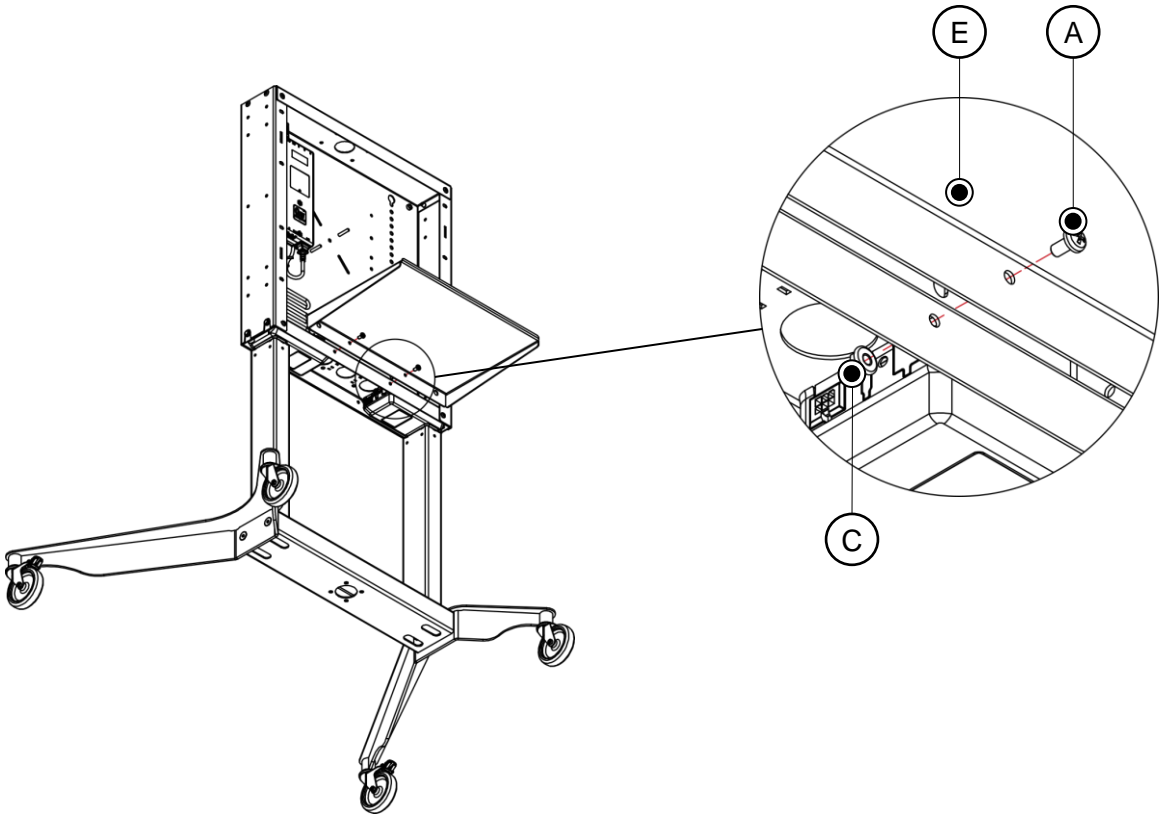
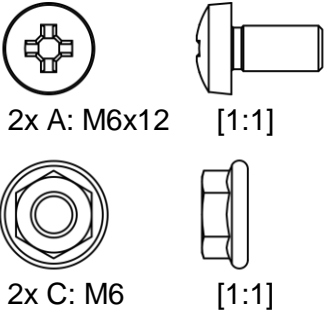
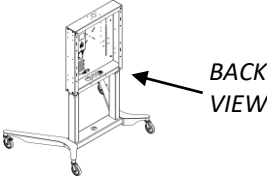
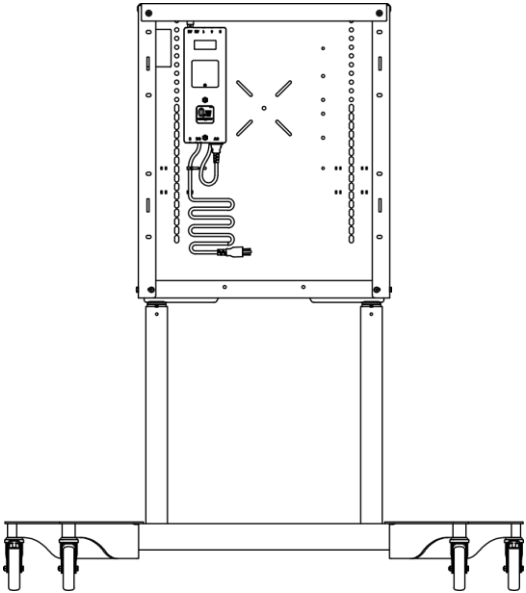


2x D: SPACER RING [1:1]

4 Mount the Laptop Tray on the e-Box® Mobile.



*e-Box® Mobile
487A11xxx
(Not included)



Fixed Laptop Tray



© COPYRIGHT – document number: 902931-01 – note: product specifications may change without prior notice.