



# IMPACT Lux 2

Luxury in every touch, power in every feature

High precision technology meets intuitive software to improve planning and delivery of engaging lessons.

Available in a range of sizes 65" 4K | 75" 4K | 86" 4K





## The Key features to make an IMPACT in your Classroom



### Google EDLA

Access the Google Play Store, Google Workplace and the full Microsoft 365 suite, directly from the screen. Use apps such as Google Drive, Docs, Sheets, Slides, Teams, Word and PowerPoint.



### Antibacterial glass

Keep germs at bay with state-of-the-art micro antibacterial glass.



### Any Screen, Any Time

With integrated NFC, users can simply swipe their fob, card or device to load their personal profile on any Clevertouch anywhere in the world.



## Software included at no extra cost



Your IT team can control, update and troubleshoot a fleet of Clevertouch screens without entering the classroom, ensuring your teachers always have the latest versions of apps and software when teaching.

[Learn More](#)



LYNX Whiteboard is a free-to-use lesson building app, enabling student collaboration. The most dynamic, intuitive user experience of any whiteboard.

[Learn More](#)



Any device can download the Clevershare app and connect instantly by typing in the code on the Clevertouch screen. Compatible with Android, Windows, iOS, and Chrome devices.

[Learn More](#)



CleverLive is a cloud management platform that enables the creation, deployment, and management of content deployed across one or multiple displays, which is compatible with any device.

[Learn More](#)

## Features



Designed for blended learning



LYNX Whiteboard lesson creation app



Dynamic Stylus with CleverInk



Award winning interactive display



Customise your home screen



Compatible with Google Classroom and Microsoft 365

## What's New?



8GB Ram & 128GB ROM



HPIR Touch Frame, Palm Rejection



Top Mounted USB-C and USB-C Out



Android 15



2x 20w front facing  
2x 10w sub woofer



Google Enterprise Partner



# IMPACT Lux 2 Specifications

## Display Panel

<b>Diagonal Size</b>	65" 4K, 75" 4K, 86" 4K
<b>Screen Type</b>	LCD
<b>Aspect Ratio</b>	16:9
<b>Display Colours</b>	1.07 Billion (10 bit)
<b>Resolution</b>	4K UHD (3840x2160) @ 60Hz
<b>Response Time</b>	5ms
<b>Refresh Rate</b>	60Hz
<b>LCD Viewing Angle</b>	178°
<b>Brightness</b>	500 cd/m2
<b>UPDATED Contrast Ratio</b>	5500:1
<b>Dynamic Contrast Ratio</b>	6000:1
<b>NEW DC Dimming for Flicker Free</b>	Yes
<b>Glass Hardness</b>	AG Tempered Glass - Mohs Level 7
<b>Glass Thickness</b>	3mm
<b>NEW Glass Type</b>	Low Parallax 0mm Air Gap - Heat tempered - Anti Glare & Anti Smudge for durability - Super Glide Surface
<b>NEW Antibacterial Glass</b>	Yes
<b>NEW Antibacterial Power Button</b>	Yes
<b>Main Board</b>	RK3588
<b>Life of Screen</b>	50,000 Hours
<b>NTSC</b>	72%

## Interactivity

<b>Writing Technology</b>	High Precision IR Technology + Material Classification Sensor
<b>NEW Continuous Touch Points</b>	50
<b>Touch Resolution</b>	32768x32768px
<b>Response Time</b>	≤5ms
<b>Touch Accuracy</b>	±1mm
<b>Minimum Object Size</b>	2mm
<b>Touch Tool</b>	Finger, passive pen, opaque objects
<b>Simultaneous Writing</b>	Yes
<b>Ink In Tools</b>	Yes - LYNX
<b>Pens Included</b>	2
<b>NEW Pen Type</b>	Dual Recognition Stylus   Super Cool Stylus 2.0
<b>Pen Holder</b>	Integrated magnetic pen holders
<b>Pen Tip Diameter</b>	3mm/7mm
<b>Pen &amp; Touch Differentiation</b>	Yes
<b>Pen Identities</b>	2
<b>Palm Rejection</b>	Yes
<b>Annotation Over Any Source</b>	Yes
<b>Classroom Essential Apps</b>	Includes Whiteboard, Annotate, Timer, Media Players, Browser, PDF Reader, Screen Record, Spinner, Voting, Maths Tools
<b>Compatibility*</b>	Windows 10, Linux, Mac, Android, Chrome
<b>Tracking Rate</b>	≥1m/s
<b>UPDATED Scan Rate</b>	≥400hz
<b>Gestures &amp; Edge Swipes</b>	Windows Supported, OSX With additional Driver

## Connectivity

<b>OPS Slot</b>	1 - Intel Spec 80Pin
<b>HDMI In</b>	3
<b>HDMI Out</b>	1
<b>USB-A 2.0</b>	3
<b>USB Touch (type B)</b>	3
<b>NEW USB A 3.0 (faster data transfer)</b>	2 x USB Front Type A 3.0 with faster data transfer 2 x USB Side Type A 3.0 with faster data transfer
<b>NEW USB C (Video, Audio &amp; Touch)</b>	1 x USB Side Type C with video, audio, touch & network 1 x USB Front Type C with video, audio, touch, network, and 100W charging
<b>NEW USB C (Data Transfer)</b>	1 x USB Top Type C Supports data transfer for top mounted camera
<b>NEW USB C Out</b>	1 x USB Type C Out with video, audio, touch and network
<b>Display Port In</b>	1
<b>LAN In (RJ45)</b>	1
<b>LAN Out (RJ45)</b>	1
<b>RS-232</b>	1
<b>Wake-on-Lan</b>	Yes
<b>Wireless Adapter</b>	2.0 + WAP
<b>Clevertouch WiFi Module</b>	Yes
<b>Bluetooth</b>	Yes - 5.2
<b>Audio In</b>	1
<b>Optical Out</b>	1
<b>Headphone</b>	1 (3.5mm)
<b>Total touch out ports</b>	3
<b>NFC Reader / Writer</b>	Integrated
<b>NEW WiFi</b>	IEEE 802.11a/b/g/n/ac/ax with 2 x 2 MIMO (hotspot only) (both 2.4 and 5 GHz bands)
<b>NEW WiFi Generation</b>	WiFi 6E
<b>NEW WiFi Speed</b>	Capable of speeds up to 1GBps
<b>Camera</b>	Optional Extra
<b>Proximity Sensor</b>	Yes

## Computing

<b>NEW Operating System</b>	Android 15
<b>NEW System Version</b>	Lux 13
<b>NEW RAM</b>	8GB
<b>NEW Internal Storage</b>	128GB
<b>CPU</b>	Quad Core A76 + Quad Core A55
<b>GPU</b>	Mali G610 MC4
<b>Android Resolution</b>	4K
<b>UPDATED Integrated Lux 2 UI</b>	Yes
<b>NEW System Architecture</b>	64-bit
<b>NEW Google Certification</b>	EDLA Certified (Enterprise Device Licence Agreement)
<b>NEW Access to Google Playstore Apps</b>	Yes (certified)
<b>NEW Access to 0Microsoft Apps</b>	Yes (certified)
<b>NEW Access to Google Cloud Services</b>	Yes (certified)

# IMPACT Lux 2 Specifications

## Power

<b>Power Requirements</b>	100 - 240V ~ 50/60Hz 3.5A
<b>UPDATED Power Consumption (Normal)</b>	65" 89.08W 75" 103.34W 86" 116.75W
<b>UPDATED Power Consumption (Standby)</b>	≤0.3W
<b>Ultra Quiet Fanless Design</b>	Yes

## Operating & Storage Environment

<b>Operating Temperature</b>	0° to 40°
<b>Storage Temperature</b>	-20° to 60°
<b>Operating Humidity</b>	10% to 90% RH
<b>Storage Humidity</b>	10% to 90% RH
<b>Altitude</b>	Below 5000 metres

## Audio

<b>NEW Dual Front Facing, Bass Enhanced Speakers</b>	2 x 20W Front Facing + 2x 10W Subwoofer
<b>Audio Out</b>	Yes
<b>SPDIF / Fibre</b>	Yes
<b>Sound Channel</b>	2.2
<b>Line Array Microphone (noise cancelling)</b>	8-array
<b>Super Wide Sound</b>	Yes
<b>Amplifier Power</b>	95W
<b>Sound Pickup Angle</b>	180°
<b>Sound Pickup Distance</b>	8M
<b>Frequency Domain</b>	32kHz

## IMPACT Lux 2 Built-In Features

<b>LYNX™ App With Online Lesson Planning</b>	Yes
<b>Embedded Digital Signage</b>	Yes
<b>Clevershare™ Mirroring Any Device To The Board</b>	Free for the life of the screen (touch back)
<b>Integrated Personalised Account Profiles</b>	Yes
<b>Cloud Account Access</b>	OneDrive, Google Drive, LYNX Cloud
<b>Embedded Room Booking</b>	Yes
<b>Whiteboard Annotation</b>	Yes
<b>Email Out Direct From Touchscreen</b>	Yes
<b>Scan QR Code For Saving Work</b>	Yes
<b>Alerts and Announcements</b>	Yes
<b>Over-the-Air Updates</b>	Yes
<b>Remote Management Of Touchscreens (MDM)</b>	Yes - One year license
<b>NEW CleverLauncher™</b>	Yes
<b>NEW LynxShare™</b>	Yes
<b>NEW LynxCloud™</b>	Yes

## Physical Spec

<b>Panel Dimensions</b>	65" 1488 x 916 x 86mm 75" 1709 x 1039 x 86mm 86" 1957 x 1178 x 99mmv
<b>Packed Dimensions</b>	65" 1628 x 185 x 1020mm 75" 1863 x 225 x 1155mm 86" 2110 x 225 x 1304mm
<b>Net Weight</b>	65" 37.90kg 75" 49.95kg 86" 61.25kg
<b>Packed Weight</b>	65" 44.5kg 75" 59.9kg 86" 72.8kg
<b>VESA Mount Point</b>	65" 600 x 400mm 75" 800 x 400mm 86" 800 x 600mm

## Inside your Clevertouch Box

<b>What's In The Box</b>	(1) Clevertouch IMPACT Lux 2 (1) 3M Length HDMI Cable (1) 3M Length USB cable (A-B) (1) 1.5M USB C Cable (1) 3M Regional Power Cable (1) Remote Control (2) Batteries for Remote Control (2) Super Cool Stylus 2.0 (1) User Guide (1) Quick Install Guide (1) WiFi Module 2.0 + WAP (1) NFC Card
--------------------------	---

## Warranty

5-year warranty as standard with an optional 7-year warranty

## Compliance & Certification

<b>Regulatory Certification</b>	CE, FCC, UL, Energy Star & EEC
---------------------------------	--------------------------------

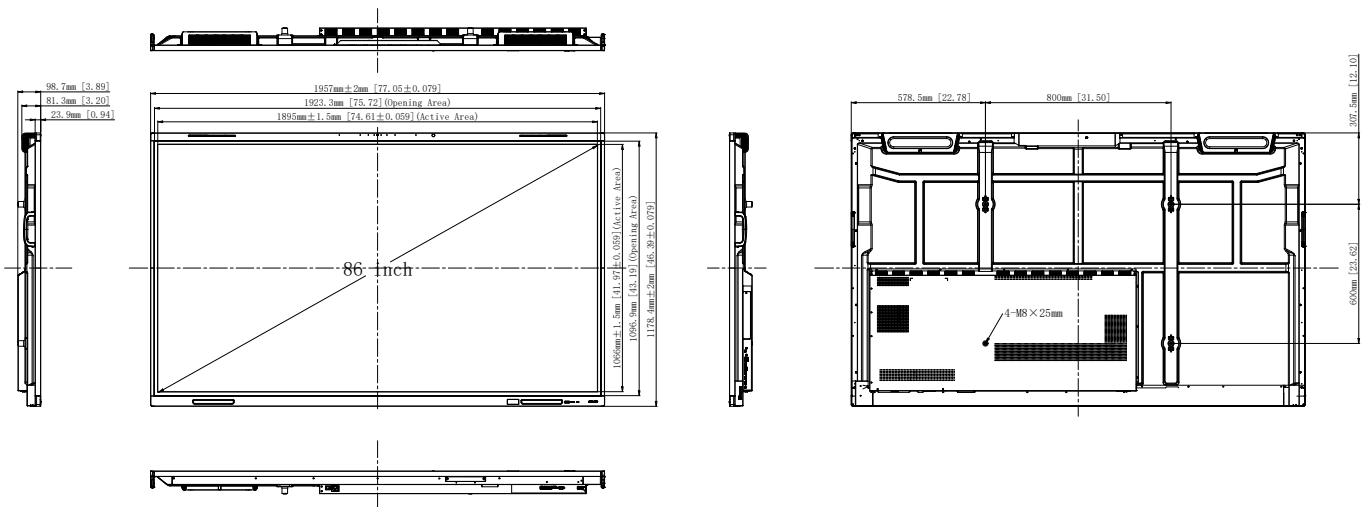


## Our commitment to the Environment, Quality and Security.

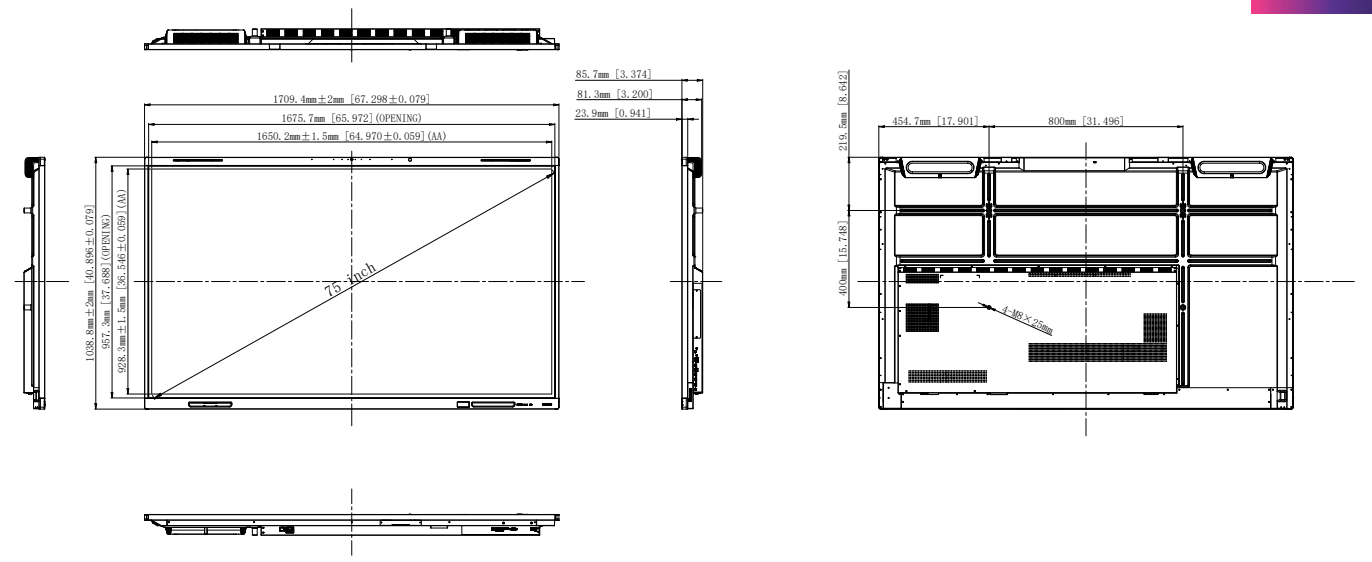
Cyber Essentials and BSI ISO9001, ISO14001, ISO27001 Certifications.



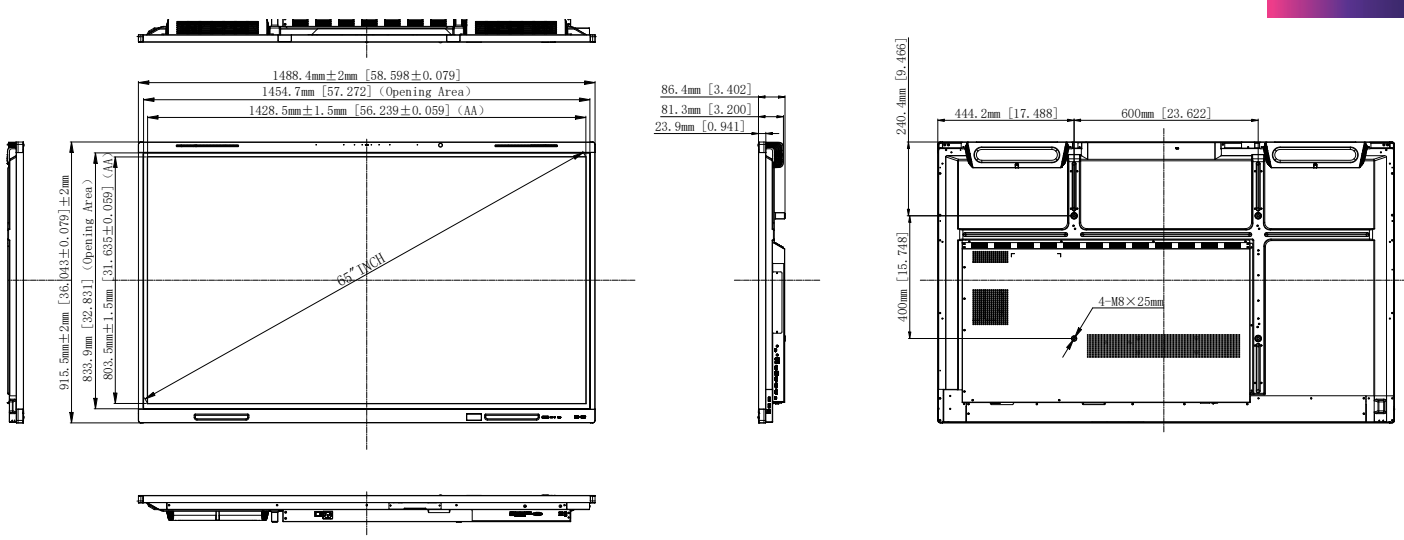
86"



75"



65"



## IMPACT Lux 2

### Statement

Size and weight vary by configuration and manufacturing process, please refer to the actual product. The product images are for illustrative purposes only and may slightly differ in appearance, colour, size, etc. from the actual product. The description, illustrations, etc. in this document may subject to change in accordance with the latest product specification and performance. Should the above-mentioned change in the document become necessary, the document may be updated without written notice.

New warranty text: © 2025 Clevertouch. All rights reserved. Sahara Presentations Systems Ltd is part of the Boxlight group of companies, and the owner of trademarks in several global jurisdictions including but not limited to Clevertouch, the Clevertouch logo, UX Pro, IMPACT™, IMPACT Plus™, Impact MAX, CleverLive, LUX, LYNX Whiteboard, X5, CleverMessage, CleverLiveStore, Clevershare, CleverLiveRooms, CleverMDM, CL Totem, CL Touch Totem, CL Pro, CM Pro and CM Totem. All third-party trademarks (including logos and icons) referenced by Clevertouch remain the property of their respective owners. Unless specifically identified as such, Clevertouch's use of third-party trademarks does not indicate any relationship, sponsorship, or endorsement between Clevertouch and the owners of these trademarks. Applicable Terms and Conditions for warranty and support available at [clevertouch.com/about/warranty](https://clevertouch.com/about/warranty). All weights and dimensions are approximate. Product specifications are subject to change without notice. Clevertouch.com.